



MODEL HL-3 LIGHTNING LOADER®



Add Capabilities to Your Fleet!

- Will not interfere with regular hooklift operations
- Body has a separate dump hoist
- 3 year structural warranty
- 1 year hydraulic warranty
- 20 ft boom reach includes 4 ft telescoping tip for difficult areas
- Multiple operations with one chassis
- Over 700 cities and counties use Lightning Loader grapple trucks



Fast, clean drop procedures



Telescoping cylinder dump hoist

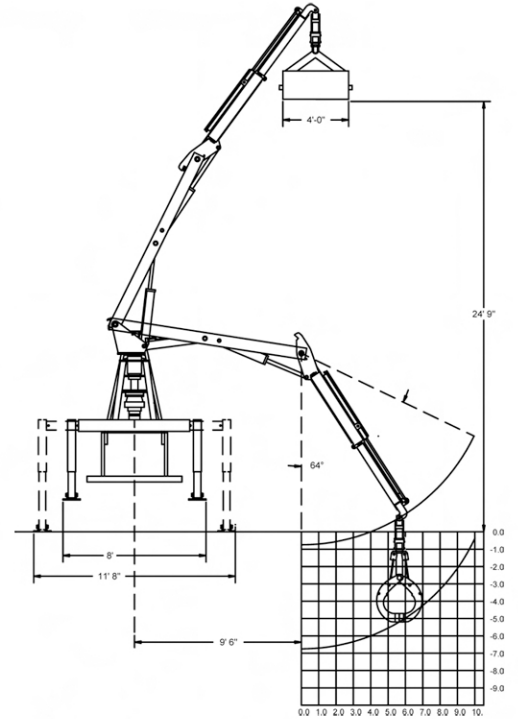
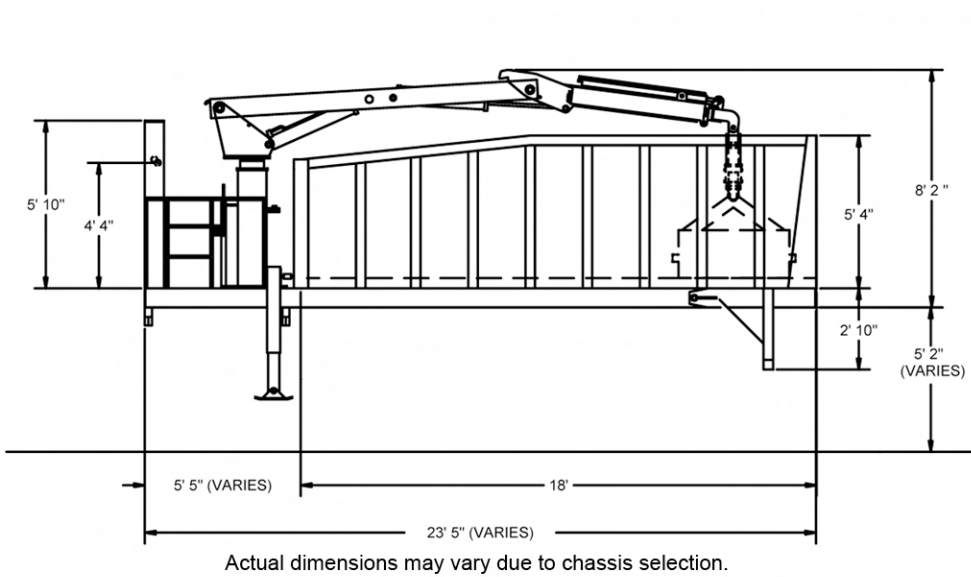


Change operations in minutes

**THE INDUSTRY STANDARD SINCE 1979
EFFICIENT! VERSATILE! AFFORDABLE!**



Specifications & Technical Data*



System Description

The Petersen HL-3 Lightning Loader and 18 foot, 24 cubic yard body are mounted on a steel skid. Heavy-duty bumper on the rear of the body and outriggers on the front of the body allow for easy installation and removal of the unit. Loader is hydraulically locked to the chassis.

General

| | |
|----------------------------------|------------|
| Reach (from centerline rotation) | 20 feet |
| Main Boom and Tip Boom | 16 feet |
| Tip Extension | 4 feet |
| Unit Weight (empty) | 12,700 lbs |
| Outrigger Span | 11'8" |
| Storage Height (above vehicle) | 8'4" |

Lifting Capacity

| | |
|----------------|-----------|
| 10 Foot Radius | 7,100 lbs |
| 16 Foot Radius | 4,400 lbs |
| 20 Foot Radius | 3,200 lbs |

Weight of bucket and/or attachments must be subtracted from lift capacities shown. Standard bucket weighs approx. 1000 lbs. Capacities shown do not exceed 85% of vehicle tipping moment with outriggers fully extended on firm, level ground.

Bucket Features

All purpose clamshell design, 4 feet wide with an opened width of 5 feet. Replaceable bolt-on bucket blades made of high impact tempered steel. Anti-scalping bucket sides are pivot mounted to provide a horizontal closing action rather than a vertical digging motion. Sides are mechanically linked to single hydraulic cylinder to ensure both sides close and open together. Continuous rotation. No hoses below bucket rotator.

Chassis & Hoist Requirements

The Petersen HL-3 loader system requires a heavy-duty chassis & hook-lift hoist. The complexity of the system and diversity of chassis/hoist combinations available necessitates that Petersen check each one individually prior to sale. The following are minimum requirements:

| | |
|------------------|-----------------------|
| | 18ft. 24 cy |
| GVW | 54,000 (tandem) |
| Cab to Trunion | 174 |
| Hoist Capacity | 32,000 lbs |
| Effective Length | 16ft 10in - 17 ft 7in |

These are not complete chassis specifications. Call your Petersen representative about other possible chassis arrangements and for complete chassis specs.

Trash Body

18 feet, 24 cubic yard capacity is standard size.
3/16 in solid plate floor on cross members with 12 in centers.

*We reserve the right to change product design and specifications at any time without notice. There may be more specifications than are listed here. Consult your Petersen dealer for complete specifications.

Operator Controls

Dual manual controls (greaseless) for outriggers and loader on both sides of truck for easy access and visibility. A "Grip Strut" serrated steel walk platform and steel handrail is included. Frame lock control lever is located at valve bank. Also available with QuadStick controls (mechanical six-function joysticks).

Structural

A-frame pedestal design allows flexing under repeated load shocks. Replaceable Cast Nylon Bushings used in head assembly. Head assembly is stress relieved. Reinforced connection points with hardened pins and replaceable bushings. Counterbalance valves used on all boom cylinders and pilot operated check valves used on vertical outrigger cylinders.

The Petersen "Lightning Loader" has been the industry standard for economical, quality trash loading equipment for more than 25 years. More than 3,500 units have been tried and tested in over 700 municipalities nationwide and abroad. The Petersen Lightning Loader® has an established track record and a reputation as the highest quality, most reliable loading equipment available.

Petersen manufactures nearly all major components for its Lightning Loader® systems. Truck mounted units are assembled, fully installed and tested at Petersen's plant in Lake Wales, Florida. With complete CNC lathes, machining and fabrication facilities, Petersen is able to control every aspect of production schedule and quality control. The Petersen team of experienced management, sales staff, and manufacturing technicians work hard to provide our customers with the best specialized equipment in the industry.



Petersen Industries, Inc.

Your Authorized Dealer is:

Municipal Equipment Sales, Inc.

Mailing Address: PO Box 1233
Location: 208 Bell Place
Woodstock, GA 30188

Local: 770-928-0424
Fax: 770-928-7512
Nationwide Toll Free: **1-800-782-2243**
Email: sales@municipalequipment.com
Web: www.municipalequipment.com

